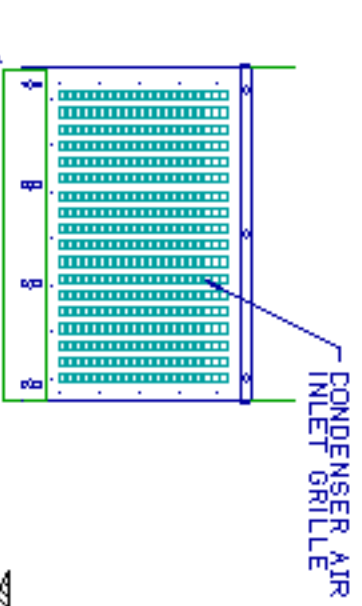
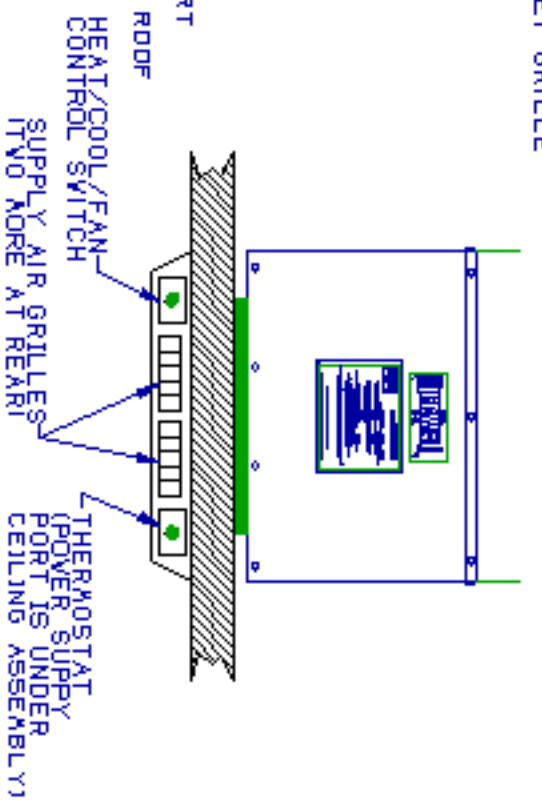


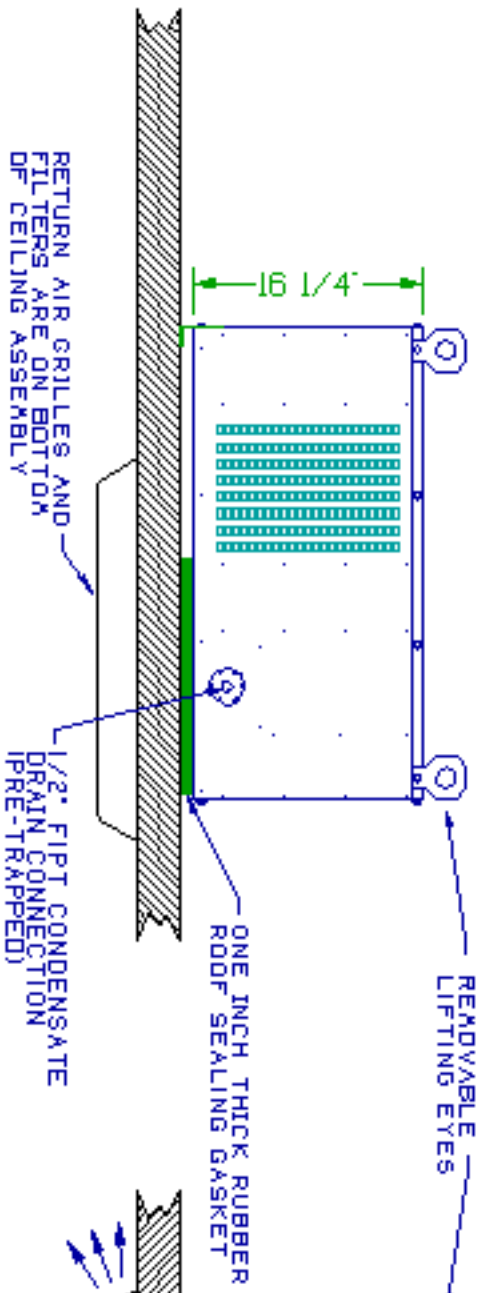
TOP VIEW



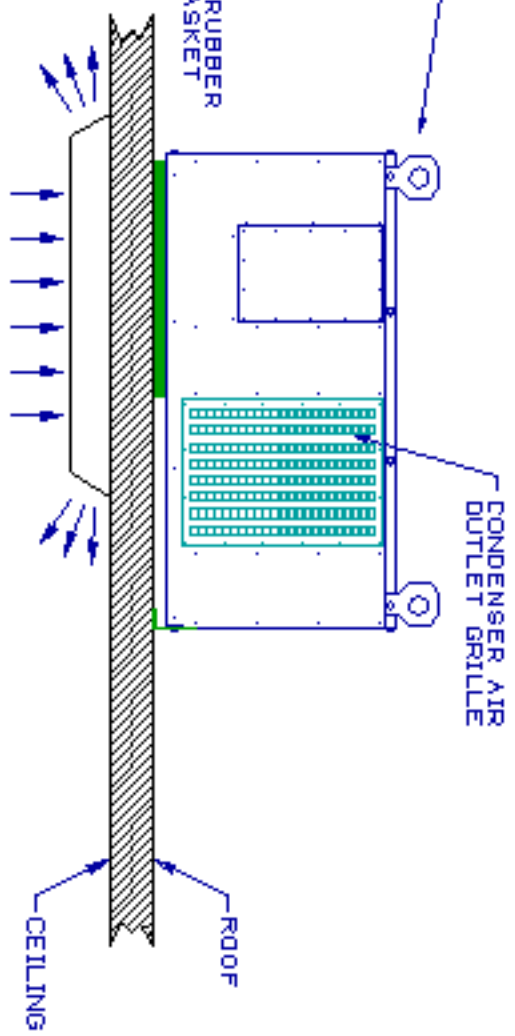
REAR VIEW



FRONT VIEW



RIGHT SIDE VIEW



LEFT SIDE VIEW

[HTTP://BIRDWELLCO.COM](http://birdwellco.com)

THE BIRDWELL COMPANY

BIRDWELL MODEL BR133P (ONE TON) ROOF MOUNT AIR COND. UNITS, THESE SYSTEMS ARE FOR USE IN GENERAL PURPOSE (NONHAZARDOUS) AREAS. ELECTRICAL REQUIREMENT IS 115/1/60. ALSO AVAILABLE IN 220/1/50. CABINET INTERNAL AND EXTERNAL PARTS, INCLUDING BLOWER SCROLL AND DRAIN PAN, ARE CONSTRUCTED FROM #304 STAINLESS STEEL (OPTIONAL #316) AS STANDARD FOR USE IN CORROSIVE ATMOSPHERES. OTHER OPTIONS INCLUDE EPOXY OR BAKED PHENOLIC COATED COILS AND 1.6 K.V. HEAT. A ROOF OPENING OF 14 INCH BY 14 INCH IS REQUIRED. FOR MORE INFORMATION, CONTACT THE BIRDWELL CO. AT 281/492-1786. OR VISIT OUR WEB SITE AT: [HTTP://BIRDWELLCO.COM](http://birdwellco.com)